



For Earth, For Life
Kubota

R

KUBOTA WHEEL LOADER R630

A bold redesign emphasizing comfort and efficiency, with a spacious cab, powerful Kubota engine, and superior maneuverability.

New standards in wheel loader performance and operator comfort.

It's all-new, inside and out, and ready for any job you give it. From Kubota, the well-known compact excavator brand, comes a new wheel loader designed get the job done faster and keep you working comfortably.

Superior Performance

An optimum balance of power and function for the performance you need to get the job done efficiently.

- Lower clearance
- Differential Lock (100% on demand, front + rear)
- Articulation and frame oscillation
- Hybrid Link System

Electronic Hydrostatic Transmission (HST)

Loader work is smooth, fast and efficient, thanks to Kubota's electronic hydrostatic transmission. Its four operating modes* are optimized to handle specific types of loading work, letting you choose the right mode for every loading job you do.

*Normal mode, Eco mode, Power mode and Attachment mode

Multi-function operating lever

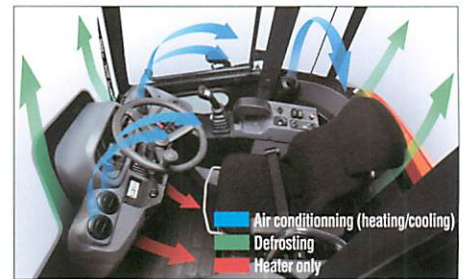
All major loader functions are on a single lever that is easy to operate with just one hand. The 5-step speed control switch let you quickly change speeds and work at the optimum speed for the task.



Deluxe interior

A new level of operator comfort helps you work more efficiently and with less fatigue.

- High-visibility
 - Modern digital display
 - Full-suspension seat
 - Adjustable right wrist rest
 - Tilt steering
 - Air conditioning (Standard for cab models)
- A powerful cooling/heating unit and multiple vents help improve overall air circulation for better all-round operator comfort. Four defroster vents—two each for the front and rear windows—provide excellent demisting performance.



Digital diagnostic indicators

A bright easy-to-read digital diagnostic indicator keeps you fully informed of critical loader and engine conditions.



Specifications

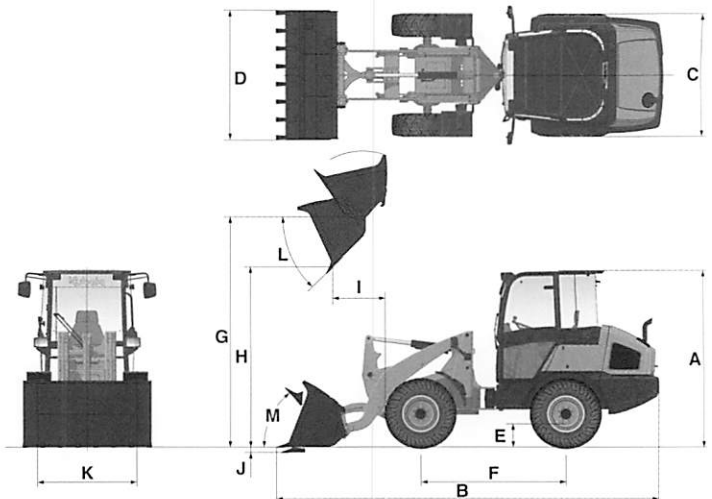
| | | | | |
|--|---------------------------------|--------------------------|--|---------------|
| Model | | R630 | | |
| Type of ROPS / FOPS | | CANOPY / CAB | | |
| Engine | Model | V2607-CR-TE4 | | |
| | Emission certification | Tier4 | | |
| | Output (SAE J1995 gross) | HP (kW)/rpm | 64.4 (48) / 2400 | |
| | Output (SAE J1349 net) | HP (kW)/rpm | 61.2 (45.6) / 2400 | |
| | Displacement | cu.in. (cc) | 160 (2615) | |
| Transmission | Type | Hydrostatic transmission | | |
| Dimensions | Overall length | ft.in. (mm) | 17' (5185) | |
| | Overall height | ft.in. (mm) | 8' 2" (2480) / 8' 2" (2500) | |
| | Overall width (w/o bucket) | ft.in. (mm) | 5' 11" (1805) | |
| | Ground clearance | in. (mm) | 13.8" (350) | |
| Auxiliary circuit | Auxiliary hydraulic flow | gpm (ℓ/min.) | 17.8 (67.2) | |
| | Auxiliary hydraulic pressure | psi (Mpa) | 3000 (20.6) | |
| Drive system | Tire size | 405/70R18 | | |
| | Travel speed | Low / High | mph (km/h) | |
| | Max. traction force | lbs. (kN) | | |
| | Front/Rear axle traction lock | Diff-lock (both axles) | | |
| | Articulation angle | Deg. | | |
| | Angle of rear frame oscillation | Deg. | | |
| | Turning radius | Loader clearance circle | ft.in. (mm) | 27' 3" (8295) |
| | | Track circle | ft.in. (mm) | 11' 4" (3445) |
| | Brakes | Service | Enclosed wet disc | |
| | | Parking | Spring applied hydraulic released wet disc | |
| Lifting specifications | Tipping load (straight) | with bucket | lbs. (kg) | |
| | | with pallet forks | lbs. (kg) | |
| | Tipping load (full turn) | with bucket | lbs. (kg) | |
| | | with pallet forks | lbs. (kg) | |
| | Rated operating capacity (SAE) | with bucket | lbs. (kg) | |
| with pallet forks | | lbs. (kg) | | |
| Operational specifications | Standard bucket capacity | Yd ³ | | |
| | Breakout force | lbs. (kN) | 10415 (46.3) | |
| | Lifting capacity | lbs. (kN) | 8505 (37.8) | |
| | Loader raise / lower time | sec. | 5.9 / 4.2 | |
| Fuel tank | gal. (ℓ) | | 18.5 (70) | |
| Hydraulic system | gal. (ℓ) | | 15.1 (57) | |
| Hydraulic reservoir | gal. (ℓ) | | 10.3 (39) | |
| Operating weight (Include operator weight 175lbs.) | lbs. (kg) | | 10229 (4640) / 10725 (4865) | |

The company reserves the right to change the above specifications without notice. This brochure is for descriptive purposes only. Please contact your local Kubota dealer for warranty information. For your safety, Kubota strongly recommends the use of a Rollover Protective structure (ROPS) and seat belt in almost all applications.

Dimensions

| | | | |
|---|--------------------------------|-------------|-----------------------------|
| A | Overall height | ft.in. (mm) | 8' 2" (2480) / 8' 2" (2500) |
| B | Overall length | ft.in. (mm) | 17' (5185) |
| C | Overall width (w/o bucket) | ft.in. (mm) | 5' 11" (1805) |
| D | Bucket width | in. (mm) | 75.5" (1918) |
| E | Ground clearance | in. (mm) | 13.8" (350) |
| F | Wheelbase | ft.in. (mm) | 6' 7" (2000) |
| G | Height to hinge pin | ft.in. (mm) | 10' 8" (3250) |
| H | Dump clearance | ft.in. (mm) | 8' 3" (2525) |
| I | Reach fully raised | ft.in. (mm) | 2' 6" (760) |
| J | Digging depth | in. (mm) | 2.2" (56) |
| K | Tread | ft.in. (mm) | 4' 7" (1400) |
| L | Dump angle fully raised | Deg. | 45 |
| M | Rollback at traveling position | Deg. | 52 |

Note: The above specifications and dimensions are based on the machine with standard tires, euro type quick coupler, standard bucket and ROPS/FOPS canopy and cabin.



©2014 Kubota Corporation

Kubota

KUBOTA CANADA LTD.

Head Office:
5900 14th Avenue, Markham, Ontario L3S 4K4
TEL: (905) 294-7477

Visit our web site at: www.kubota.ca

