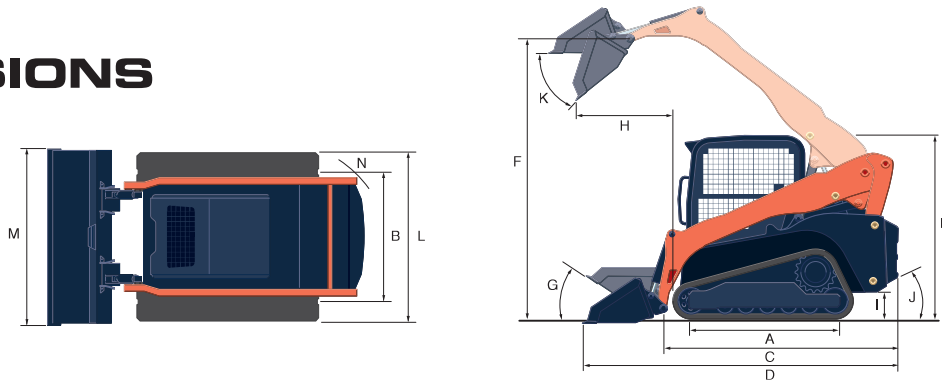


# SPECIFICATIONS

Model		SVL75	SVL90		
Type of operator station		Open CAB / Closed CAB	Open CAB / Closed CAB		
Engine	Model	V3307-DI-TE3	V3800-DI-TE3		
	Gross HP	HP (kW)/rpm	74.3 (55.4)/2400	90.0 (67.1)/2400	
	Displacement	cu.in. (cc)	203.3 (3331)	230.0 (3769)	
	Cylinders		4	4	
	Bore Stroke	in.(mm)	3.7 (94) × 4.72 (120)	3.94 (100) × 4.72 (120)	
	Aspiration		Turbocharged	Turbocharged	
Loader Performance	Tipping load 35%	lbs. (kg)	2300 (1043)	3010 (1365)	
	Tipping load 50%	lbs. (kg)	3285 (1490)	4300 (1950)	
	Tipping load straight	lbs. (kg)	6570 (2980)	8600 (3900)	
	Breakout force	Bucket lbf. (kgf)	6204 (2814)	7961 (3611)	
	Lifting capacity	lbs. (kg)	4881 (2214)	5869 (2662)	
	Lift arm path		Vertical	Vertical	
Undercarriage	Track Width	in. (mm)	15.0 (380)	17.7 (450)	
	Ground pressure	psi	4.7/4.9	4.2/4.3	
	Track rollers (per side)		4	5	
	Track ground contact length	in. (mm)	56.5 (1436)	65.6 (1667)	
	Travel speed	Low	mph (km/h)	4.7 (7.5)	5.0 (8.0)
		High	mph (km/h)	7.1 (11.5)	7.3 (11.7)
	Traction force	lbf.(kgf)	9678 (4390)	12178 (5524)	
Min. ground clearance	in. (mm)	11.7 (296)	11.8 (299)		
Hydraulic system	Loader hydraulic flow	gpm (ℓ/min.)	18.8 (71.2)	25.1 (94.9)	
	Loader hydraulic pressure	psi (kgf/cm <sup>2</sup> )	3555 (250)	3555 (250)	
	Aux. hydraulic flow	Standard	gpm (ℓ/min.)	18.8 (71.2)	25.1 (94.9)
		High	gpm (ℓ/min.)	N/A	36.5 (138.3)
Service refill capacities	Hydraulic system	gal. (ℓ)	15.9 (60)	18 (68)	
	Hydraulic tank	gal. (ℓ)	9.2 (35)	10.1 (38.1)	
	Fuel tank	gal. (ℓ)	24.6 (93)	29.9 (113)	
Operating weight (Include operator weight 175lbs.)		lbs. (kg)	9039 (4100) / 9315 (4225)	10913 (4950) / 11189 (5075)	

The company reserves the right to change the above specifications without notice. This brochure is for descriptive purposes only. Please contact your local Kubota dealer for warranty information. For your safety, Kubota strongly recommends the use of a Rollover Protective structure (ROPS) and seat belt in almost all applications.

# DIMENSIONS



Model		SVL75	SVL90	
A	Length of track on ground	in. (mm)	56.5 (1436)	65.6 (1667)
B	Track gauge	in. (mm)	53.3 (1355)	59.5 (1512)
C	Length w/o bucket	in. (mm)	109 (2768)	117 (2972)
D	Length w/bucket on ground	in. (mm)	140.8 (3576)	148.2 (3764)
E	Height to top of cab	in. (mm)	82 (2083)	83.4 (2118)
F	Bucket hinge pin height at max. lift	in. (mm)	119.1 (3025)	128.6(3266)
G	Rollback angle at carry position	degree	27	27
H	Reach at max. lift and dump	in. (mm)	41.7 (1060)	40.7 (1035)
I	Ground clearance	in. (mm)	11.7 (296)	11.8 (299)
J	Departure angle	degree	31.5	31
K	Max. dump angle	degree	40	43
L	Vehicle width	in. (mm)	68.3 (1735)	77.2 (1962)
M	Width with bucket	in. (mm)	72 (1829)	80 (2032)
N	Turning radius from center-machine rear	in. (mm)	107.1 (2720)	113.5 (2882)