

The possibilities are nearly endless with our full range of implements.

Implements are the key to getting the most out of your excavator. Use the ones listed below to greatly expand your machine's capabilities. Or, use your own. The Kubota KX080-4 allows you to attach excavator implements you may already have—even ones without a Kubota name on it.



● Hydraulic Thumb

● Excavating Rake

● Grading Bucket

● Ripper

● Hydraulic Breaker

● Grading Blade

● Compaction Wheel

● Vibratory Compactor

● Tilt Bucket

● Auger

● Grapple

● Brush Cutter

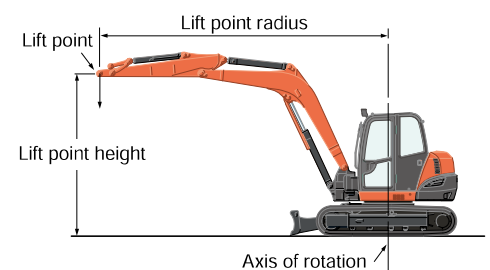
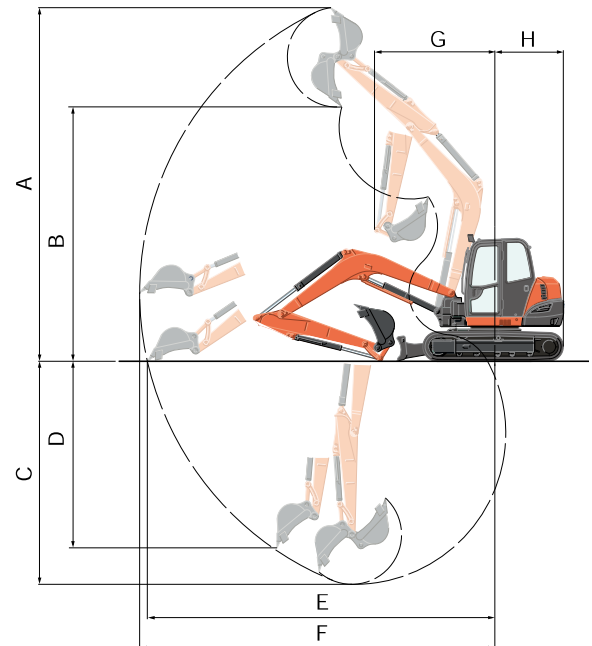
WORKING RANGE

Model			KX080-4
A	Max. digging height	ft. in. (mm)	23'11.4" (7300)
B	Max. dumping height	ft. in. (mm)	17'2.7" (5250)
C	Max. digging depth	ft. in. (mm)	15'1.1" (4600)
D	Max. vertical digging depth	ft. in. (mm)	12'7.6" (3850)
E	Max. digging radius at ground	ft. in. (mm)	23'6.3" (7170)
F	Max. digging radius	ft. in. (mm)	24'0.6" (7330)
G	Min. turning radius	W/O swing	ft. in. (mm) 8'2.0" (2490)
		W swing	ft. in. (mm) 6'6.7" (2000)
H	Min. tail turning radius	ft. in. (mm)	4'9.5" (1460)

LIFTING CAPACITY

LIFT POINT HEIGHT (ft)	LIFTING CAPACITY OVER-FRONT BLADE DOWN unit=1000 lbs				LIFTING CAPACITY OVER-SIDE unit=1000 lbs		
	LIFT POINT RADIUS (ft)			LIFT POINT RADIUS (ft)			
	12	18	MAX	12	18	MAX	
GL	12	3.6	3.4	3.4	3.6	2.1	1.9
	8	5.0	3.7	3.5	3.6	2.0	1.6
	4	6.5	4.0	3.5	3.5	1.9	1.5
0	7.2	4.2	3.6	3.2	1.8	1.6	

Machine with cabin and rubber crawler, without bucket

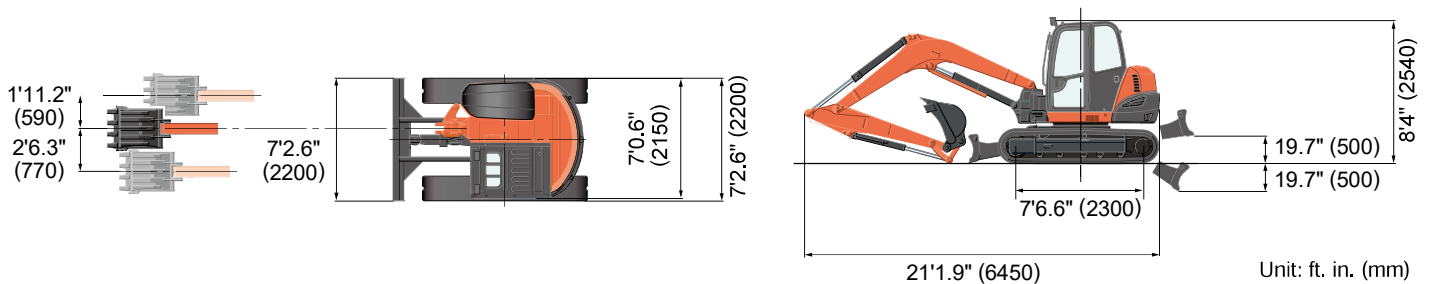


SPECIFICATIONS

Model		KX080-4	KX080-4 Angle Blade
Type of cabin		ROPS / OPG (TOP Guard, Level I)	
Type of tracks		Rubber / Steel	
Engine	Model	Kubota V3307-CR-TE4	
	Output (SAE J1995 gross)	HP (kW)/rpm	66.6 (49.7) / 2000
	Output (SAE J1349 net)	HP (kW)/rpm	62.3 (46.5) / 2000
	Displacement	cu. in. (cc)	203.3 (3331)
Dimensions	Overall length	ft. in. (mm)	21'1.9" (6450)
	Overall height	ft. in. (mm)	8'4" (2540)
	Overall width	ft. in. (mm)	7'2.6" (2200)
	Min. ground clearance	in. (mm)	15.4" (390)
Hydraulic system	Pump capacity	GPM (ℓ/min)	19.0 (72.0) Variable × 2 / 17.6 (66.6) Gear × 1
	Auxiliary hydraulic flow	GPM (ℓ/min)	26.4 (100) / 17.6 (66.6)
	Max. breakout force	Bucket / Arm lbf. (kgf)	14660 (6650) / 8554 (3880)
Drive system	Travel speed	Low / High mph (km/h)	1.7 (2.7) / 3.1 (4.9)
	Max. traction force	Low speed lbf. (kgf)	14615 (6630)
	Tumbler distance	ft. in. (mm)	7'6.6" (2300)
	Crawler length	ft. in. (mm)	9'6.2" (2900)
	Shoe width	Rubber / Steel in. (mm)	17.7" (450) / 17.7" (450)
	Ground contact pressure	Rubber / Steel psi (kgf/cm ²)	5.23 (0.367) / 5.35 (0.376) 5.47 (0.385) / 5.60 (0.394)
Swing system	Unit swing speed	rpm	9.5
	Boom swing angle	Left / Right degree	70 / 60
Blade	Dimensions	Width ft. in. (mm)	7'2.6" (2200)
		Height ft. in. (mm)	1'7.7" (500) 1'8.1" (510)
	Max. lift above ground	in. (mm)	19.7" (500) 22.8" (580)
	Max. drop below ground	in. (mm)	19.7" (500) 25.2" (640)
	Angle	degree	— 25
Hydraulic oil (reservoir / system)		gal (ℓ)	19.8 (75) / 35.7 (135)
Fuel reservoir		gal (ℓ)	30.4 (115)
Operating weight (Including operator's weight @ 175 lbs.)		Rubber / Steel lbs. (kg)	18280(8290) / 18390 (8340) 19140(8680) / 19250 (8730)

The company reserves the right to change the above specifications without notice. This brochure is for descriptive purposes only. Please contact your local Kubota dealer for warranty information. For your safety, Kubota strongly recommends the use of a Rollover Protective Structure (ROPS) and seat belt for almost all applications.

DIMENSIONS



©2012 Kubota Corporation

Kubota®

KUBOTA TRACTOR CORPORATION

Kubota Tractor Corporation, 3401 Del Amo Boulevard, Torrance CA 90503
 Western Division: 1175 S. Guild Ave., Lodi, CA 95240 Tel (209) 334-9910
 Central Division: 14855 FAA Boulevard, Fort Worth, TX 76155 Tel (817) 571-0900
 Northern Division: 6300 at One Kubota Way, Groveport, OH 43125 Tel (614) 835-1100
 Southeast Division: 1025 Northbrook Parkway, Suwanee, GA 30024 Tel (770) 995-8855

Visit our web site at: www.kubota.com

