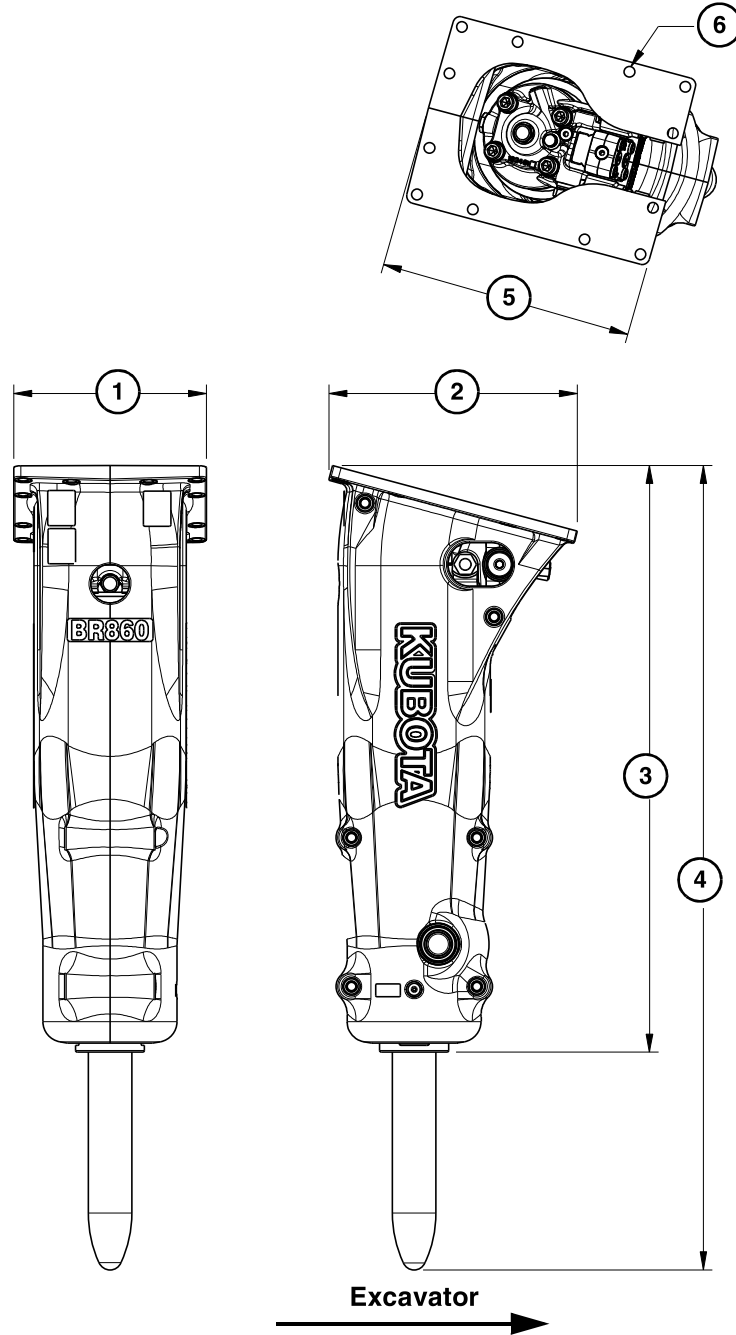


BR510, BR560, & BR860 Specifications & Capacities

Breaker Specifications & Capacities ¹				
Model Numbers	Unit	BR510	BR560	BR860
Frequency range ²	bpm	600-1800	500-1700	500-1700
Oil flow range	gpm (Lpm)	9-24 (35-90)	10-32 (40-120)	13-40 (50-150)
Operating pressure	psi (bar)	1300-2030 (90-140)	1300-2030 (90-140)	1450-2030 (100-140)
Pressure relief setting minimum ³	psi (bar)	2030-2900 (140-200)	2030-2760 (140-190)	2180-2760 (150-190)
Pressure relief setting maximum	psi (bar)	3190 (220)	3190 (220)	3190 (220)
Back pressure, maximum	psi (bar)	290 (20)	290 (20)	290 (20)
Operating weight ⁴	lbs (kg)	610 (275)	820-(370)	1110-(505)
Tool shank diameter	in (mm)	2.83 (72)	3.15 (80)	3.54 (90)
Mini-excavator, tractor backhoe weight ⁵	ton (m ton)	3.7-8.8 (3.4-8.0)	5.05-9.9 (4.6-9.0)	7.7-13.8 (7.0-12.5)
Skid steer, robot weight ⁶	ton (m ton)	2.1-3.95 (1.9-3.6)	2.85-5.5 (2.6-5.0)	4.4-7.7 (4.0-7.0)
Hammer weight	lbs (kg)			915 (415)

Tool Specifications ¹						
	Units	Chisel Tool	Moil Tool	Spade, Parallel	Spade, Transverse	Compact Plate
BR510						
Part number		BJ631SK	BJ633SK	BJ635SK	BJ636SK	BJ637SK
Length	in (mm)	25 5/8 (650)	25 5/8 (650)	25 5/8 (650)	125 5/8 (650)	20 1/8 (510)
Base width or diameter	in (mm)			6 (150)	6 (150)	13 (330)
Weight	lbs (kg)	42 (19)	42 (19)	40 (18)	40 (18)	112 (51)
BR560						
Part number		BJ701SK	BJ703SK	BJ705SK	BJ706SK	BJ707SK
Length	in (mm)	29 1/8 (740)	29 1/8 (740)	29 1/8 (740)	29 1/8 (740)	27 5/8 (740)
Base width or diameter	in (mm)			8 (200)	8 (200)	13 (330)
Weight	lbs (kg)	60 (27)	60 (27)	55 (25)	55 (25)	150 (68)
BR860						
Part number		BJ801SK	BJ803SK	BJ805SK	BJ806SK	BJ807SK
Length	in (mm)	32 3/4 (830)	33 1/8 (840)	33 1/8 (840)	33 1/8 (840)	31 1/2 (800)
Base width or diameter	in (mm)			8 3/8 (210)	8 3/8 (210)	13 (330)
Weight	lbs (kg)	84 (38)	84 (38)	84 (38)	84 (38)	170 (77)

- Specifications are subject to change without prior notice.
- Depends on hydraulic parameters (oil flow, pressure and nozzle).
- Operating pressure +50 bar.
- Operating weight includes standard mounting bracket and standard tool.
- Includes hammer and standard tool only.
- Check Carrier's lifting capacity, especially with flange mount hammers and mounting bracket.



72344

Model Number	Dimensions [in (mm)] ¹						Qty
	1	2	3	4	5	6 ²	
BR510	15 (380)	16.4 (417)	35.9 (911)	49.6 (1261)	17 (432)	0.7 (18)	10
BR560	15 (380)	17.8 (453)	40.6 (1032)	57 (1449)	17 7/8 (454)	0.7 (18)	10
BR860	15.8 (400)	20.7 (526)	47.9 (1217)	65.7 (1669)	20 5/8 (524)	0.87 (22)	12

1. Specifications are subject to change without prior notice.
2. Diameter of holes.