



For Earth, For Life  
Kubota

# SSV

## KUBOTA SKID STEER LOADER SSV65/SSV75

The outstanding power and exceptional comfort of Kubota's new Skid Steer Loaders take high-performance and productivity to a new level.

### New standards in skid steer loader performance and operator comfort.

It's all-new, inside and out, and ready for any job you give it. From Kubota, the well-known compact excavator brand, comes a new skid steer loader designed to get the job done faster and keep you working comfortably.

#### Outstanding performance

High productivity requires versatility—like travelling at low- or high-speed ranges, or handling multiple functions such as grappling, or drilling and augering. Of course, that work needs this kind of abundant power.

	SSV65	SSV75
Engine (Gross)	64 HP 47.7 kW	74.3 HP 55.4 kW
Rated operation capacity-50% tipping load	1950 lbs. (885 kg)	2630 lbs. (1193 kg)
Breakout force Bucket	4839 lbf. (2195 kgf)	5884 lbf. (2669 kgf)
Lift arm	3858 lbf. (1750 kgf)	4850 lbf. (2200 kgf)

#### Exceptional comfort

More operator comfort means more productivity. It all begins in a roomy, fatigue- and stress-reducing cabin that encourages all-day alertness. A wider entrance affords effortless entry and exit—while the sliding front door can be opened or closed regardless of the loader position. Of course, Kubota comfort also comes in the form of a dust-resistant pressurized cabin, with an optimized air conditioning and climate control system.

#### Features

##### Sliding front door

Standard on the Skid Steer Loader Series is Kubota's ingenious sliding front door. Operators appreciate that the door can be opened regardless of the loader position, allowing entry or exit even in difficult situations.

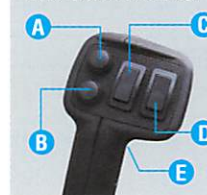
##### Side Light

As a standard feature on Kubota's new skid steer loader, the new side light feature expands the operator's visibility on the job site at night for a more productive and safe work environment.

#### Optional multi-function lever

Allows fingertip control of all major vehicle and implement operations.

##### Left Control Lever



- A. Horn
- B. KSR  
(Kubota Shockless Ride)
- C. AUX1
- D. AUX4 or Turn Signal
- E. Travel Speed

##### Right Control lever



- F. AUX3
- G. AUX2
- H. Proportional AUX Switch
- I. AUX Hold Switch



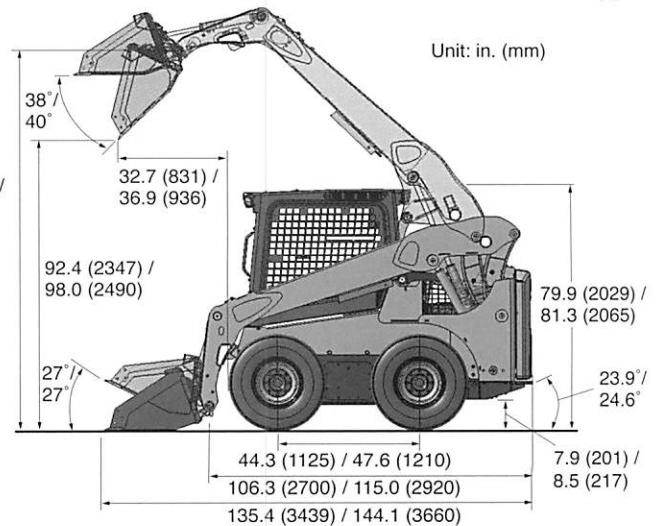
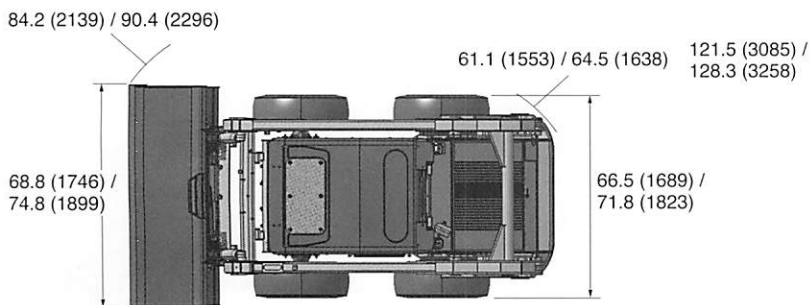
# Specifications

Model		SSV65	SSV75		
Type of operator station		Open CAB / Closed CAB	Open CAB / Closed CAB		
Engine	Model	V2607-CR-TE4	V3307-CR-TE4		
	Emission certification	Tier 4	Tier 4		
	Gross HP (SAE J1995)	HP (kW)/rpm	64 (47.7)/2700	74.3 (55.4)/2600	
	Displacement	cu.in. (cc)	159.7 (2615)	203.3 (3331)	
	Cylinders		4	4	
	Bore Stroke	in.(mm)	3.5 (87) × 4.4 (110)	3.8 (94) × 4.8 (120)	
Aspiration		Turbocharged	Turbocharged		
Loader Performance	Rated operating capacity-35% tipping load		lbs. (kg)	1365 (619)	1883 (854)
	Rated operating capacity-50% tipping load		lbs. (kg)	1950 (885)	2690 (1220)
	Tipping load		lbs. (kg)	3900 (1770)	5380 (2440)
	Breakout force	Bucket	lbf. (kgf)	4839 (2195)	5884 (2669)
		Lift arm	lbf. (kgf)	3858 (1750)	4850 (2200)
	Lifting capacity		lbs. (kg)	4409 (2000)	5452 (2473)
Lift arm path			Vertical	Vertical	
Undercarriage	Standard tire size			10-16.5-8PR	12-16.5-10PR
	Chain size ASA#			80	100
	Travel speed	Low	mph (km/h)	6.9 (11.1)	7.1 (11.4)
		High	mph (km/h)	11.0 (17.7)	11.4 (18.3)
	Traction force		lbf. (kgf)	7339 (3329)	8494 (3853)
	Ground clearance		in. (mm)	7.9 (201)	8.5 (217)
Hydraulic system	Loader hydraulic flow		gpm (ℓ/min.)	18.0 (68.0)	20.9 (79.0)
	Loader hydraulic pressure		psi (kgf/cm <sup>2</sup> )	3271 (230)	3271 (230)
	Aux. hydraulic flow	Standard	gpm (ℓ/min.)	18.0 (68.0)	20.9 (79.0)
		High	gpm (ℓ/min.)	28.0 (106.0)	30.4 (115.0)
Service refill capacities	Hydraulic tank		gal. (ℓ)	4.2 (16.0)	4.2 (16.0)
	Fuel tank		gal. (ℓ)	25.4 (96.0)	26.9 (102.0)
Operating weight (Include operator weight 175lbs.)		lbs. (kg)	6790 (3080) / 7055 (3200)	8157 (3700) / 8422 (3820)	

The company reserves the right to change the above specifications without notice. This brochure is for descriptive purposes only. Please contact your local Kubota dealer for warranty information. For your safety, Kubota strongly recommends the use of a Rollover Protective structure (ROPS) and seat belt in almost all applications.

## Dimensions

### SSV65 / SSV75



©2014 Kubota Corporation

# Kubota

**KUBOTA CANADA LTD.**

Head Office:  
5900 14th Avenue, Markham, Ontario L3S 4K4  
TEL: (905) 294-7477 FAX: (905) 294-6651

Visit our web site at: [www.kubota.ca](http://www.kubota.ca)

