

Tranz **Sporter**



Owners Manual

LH200

(Lift Hoist 200)

Platform Hoist

With Quick Change Drum

Updated: 3/17/2011

Instructions #08100

TIE DOWN ENGINEERING • 255 Villanova Drive SW • Atlanta, GA 30336
www.tiedown.com (404) 344-0000 Fax (404) 349-0401



031711E1027

Congratulations on your Purchase of the TranzSporter Lift Hoist.

The TranzSporter Lift Hoist - Series was designed to last.

Features include...

- Unitized Design - Fewer parts, stronger, less maintenance
- Non-Slip Carriage Deck - Safer operation
- Heavy Duty Aluminum Frame - Absorbs more punishment
- Spring Loaded Safety Latch - Keeps deck in place when transporting or when operator is away from the hoist.
- Dual Brake System - Better control, longer brake life
- Hi-Impact Nylon Belt Guard - Safer operation
- Oven baked, Black Powder Coat Finish - Durable, long lasting
- Wide Foot Plate - Better control of lift operation
- Permanent Safety Information - Combination of stamped-in safety information and decal's remind your operator to use hoist in a safe manner
- Large Steel Foot Pads - Adds more stability, lasts longer
- Extended Brake Handle - Keeps operator away from hoist when raising or lowering materials

User Responsibilities

PERFORM THE FOLLOWING AT THE START AND END OF THE WORK DAY AND AFTER 4 HOURS OF OPERATION DURING THE DAY:

- Check oil level in engine and fill according to manufacturer's specifications.
- Check cable for smooth operation and for signs of wear.
- Check for loose bolts and tighten according to specifications.
- Check track sections and all other moving parts for excessive wear or fatigue.
- Check general condition of equipment.
- Check operator's understanding of the proper operation for this equipment.
- Check extension cords and connections for wear or damage.
- Check brake parts regularly for wear or damage.
- Check cable drum bearings, they should run smoothly when the brake is released. If there is any noise or if the cable drum does not spin freely, replace drum bearings immediately.

WARNING: DO NOT OPERATE THIS EQUIPMENT IF ANY UNSAFE CONDITIONS EXIST OR OCCUR DURING OPERATION.

Remember: Safety First!!

REPAIR INFORMATION

Your Lift Hoist is designed to provide years of service, however, when your hoist requires parts, service or repairs, please contact your nearest authorized dealer, or call 1-800-241-1806, ext. 329 for information on where to take your platform hoist.

WARNING:

- **KEEP TRACK SECTION CLEAR OF ALL ELECTRICAL WIRES AND EQUIPMENT**
- **BE AWARE OF OVERHEAD OBJECTS**
- **NEVER USE HOIST AS A LADDER**
- **NEVER OPERATE HOIST WITH A HUMAN ON PLATFORM**
- **NEVER STAND UNDER PLATFORM WHEN LOWERING**
- **NEVER USE INDOORS OR IN AN AREA WITH POOR VENTILATION**

PLEASE READ!

The equipment described herein has been engineered to perform specific lifting tasks, with a minimum of risk to the operator. The instructions for operation and safety contained herein were designed to help insure that this equipment, performs its function, as stated without adding to the endangerment of persons, equipment, and/or materials.

LH200 - Series Specifications:

200 lb. MAXIMUM Hoisting Capacity

LH - Series- gasoline power unit - (4 hp. Lifan Engine, 4 hp. Honda or High Torque Electric Motor)

Self-energizing brake, 3 ft. steel base section, 4, 8, and 16 ft. track sections

TranzSporter

Limited Warranty for all models

Replaces all dated or undated limited warranties dated before May 1, 2001

Tie Down Engineering, Inc. will repair or replace, free of charge, any part, or parts of the TranzSporter lift hoist that are defective in material or workmanship or both. The limited warranty is in effect for 90 days from date of purchase. Return the defective unit to the dealer or contact Tie Down direct at 800-241-1806, x329.

THERE IS NO OTHER EXPRESS WARRANTY IMPLIED WARRANTIES INCLUDING THOSE OF MERCHANTABILITY AND FITNESS FOR A PARTICULAR PURPOSE ARE LIMITED TO ONE YEAR FROM PURCHASE OR TO THE EXTENT PERMITTED BY LAW AND ALL IMPLIED WARRANTIES ARE EXCLUDED TO THE EXTENT EXCLUSION IS PERMITTED BY LAW. Some countries or states do not allow limitation on how long an implied warranty lasts and some countries or states do not allow the exclusion or limitation of incidental or consequential damages so the above limitation and exclusion may not apply to you. This warranty gives you specific legal rights and you may also have other rights which vary from country to country and state to state.

TIE DOWN ENGINEERING • 255 Villanova Drive SW • Atlanta, GA 30336
www.tiedown.com (404) 344-0000 Fax (404) 349-0401



Safety instructions

CAUTION: Please read the safety warnings and Instructions contained in this manual before operating the lift hoist. Failure to obey the warnings contained herein could result in personal injury or damage to the equipment; however, this information should not be a substitute for routine accident prevention, but rather an addition to routine accident prevention.

GENERAL SAFETY INSTRUCTIONS:

1. Transport and handle your lift hoist with care.
2. Unpack the TranzSporter carefully and inspect for any damage that may occur during transportation. **DO NOT USE THE HOIST IF ANY PART IS DAMAGED**
3. Please observe all safety and warning labels attached to the hoist.
4. Use only replacement parts furnished by the manufacturer.
5. Always keep the area around the base section of the TranzSporter hoist clear to help prevent slipping, tripping or falling against the hoist.
6. **DO NOT ALLOW ANYONE TO OPERATE THE TRANZSPORTER HOIST WHO HAS NOT BEEN THOROUGHLY AND PROPERLY TRAINED IN THE CORRECT OPERATION AND USE OF THIS HOIST.**
7. This hoist is manufactured to lift materials only. Do not use the lift hoist for the purpose of transporting personnel from one level to another.
8. Do not climb the lift hoist or use as a personnel ladder.
9. Do not overload - maximum lifting capacity for the LH200 is 200 lbs. with a load capacity of 180 lbs.
10. Keep hands, feet and other body parts as well as clothing away from the track sections and moving or rotating parts of the hoist when starting the engine or when operating the hoist.
11. Do not allow any persons to walk or work under or near the hoist while in operation.
12. Do not use this hoist to transport hot asphalt or any other hot molten substance from one elevation to another.
13. Store all parts of the hoist in such a fashion as not to damage any of the components.
14. Do not operate indoors or in an area with poor ventilation.

Remember: Safety First!!

Warning labels are attached to the LH200 and are weather resistant. If you notice any of these decal's missing from your hoist, please contact **TIE DOWN ENGINEERING** for a replacement label.

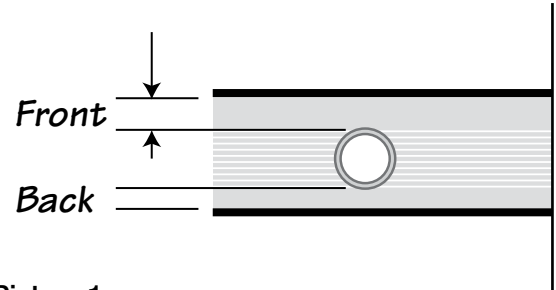


Assembly Instructions LH200

Congratulations on purchasing the TranzSporter LH200. The two boxes contain the five assembled parts plus the owner's manual, making up the LH200. Please read the following instructions completely before starting assembly. Refer to the owner's manual for further information on use and maintenance of the LH-200.

Parts found in the two boxes are:

- Track section base
- Carriage assembly
- End cap
- Motor base
- Brake handle
- Owner's manual

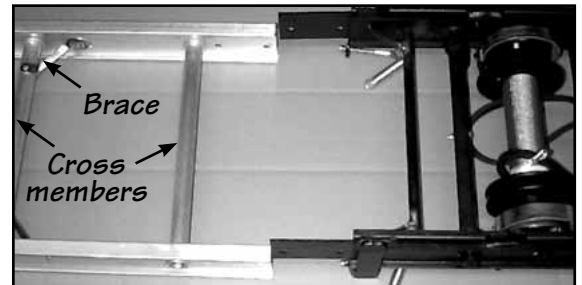


Picture 1

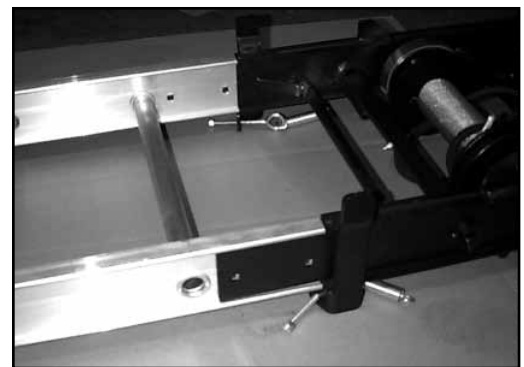
1. Remove all hoist parts from the two boxes and place on a clean floor or assembly area. Lay one track section on a flat floor with the "front" side up. This is determined by the space between the track cross bar and the track section edge as shown in picture 1.

2. Remove slice plates from the track section. Attach the track base to the bottom of the track section using four $\frac{3}{8}$ " x $\frac{3}{4}$ " hex head bolts provided or the bolts used in attaching the splice plates. Note: The track base mounts to the outside of the track section as shown in picture 3. The bottom of the track section is determined by making sure the braces are below the cross bars as shown in picture 2.

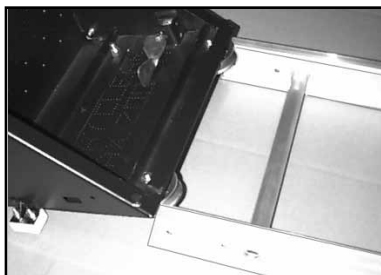
3. Starting at the top of the track section slide carriage assembly onto track section so that the four rollers connect to the top rail of the track section as shown in picture 4. "Roll" carriage assembly to the base. At this time lock the base in place using the safety latch as shown in picture 5.



Picture 2



Picture 3



Picture 4



Picture 5

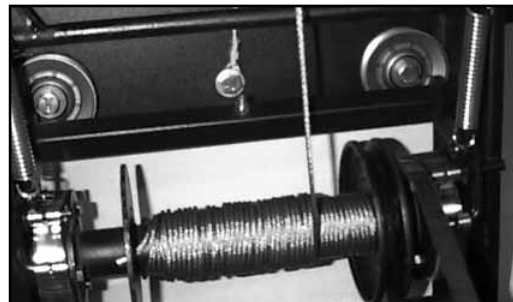
4. The end cap is bolted to the top end of the last section of track section you intend to use. Assemble as shown right using two 3/8" x 3/4" hex head bolts with lock nuts provided.



5. Attach splice plates to the bottom section of the Green Bull track. **Splice plates are mounted on the outside track section.** Slide the top section track into the groves on the inside track section, attach with 2 nuts and bolts per side. Shown left.

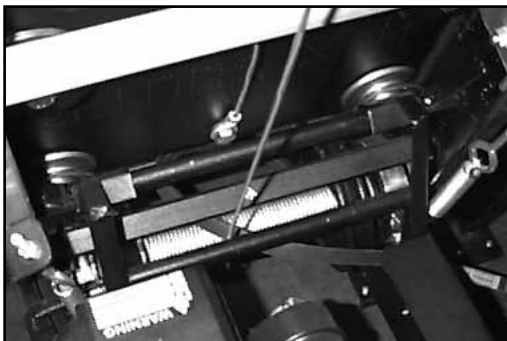


Picture 6



Picture 7

6. From the back side of the hoist, remove the end of the cable from the drum. It helps to attach the brake handle, pulling back releases the brake drum. The cable will then easily unspool. Staying on the outside of the base section and track section, take the cable to the top of the last track section where the cap and pulley are attached. Feed the cable end through the pulley as shown in picture 6, and down the front side of the track section to the back of the carriage assembly. Attach the end of the cable to the carriage assembly as shown in picture 7.



Picture 8



Picture 9

7. After the track section with base is properly secured to the work site and properly braced, the motor assembly can be attached to the base unit. The foot pad slides under the base section, while "hanging" the motor base as shown in picture 8.



8. The handle is attached to the brake release bar, aligning the holes for the insertion of the pin provided.



9. If needed, attach the two plywood/rolled goods brackets with the nuts and bolts provided (Shown left).



10. Before operating, please review Safety Operating Instructions located under the platform base.

GASOLINE POWER UNIT

1. Handle fuel with care. It is **EXTREMELY** flammable and explosive under certain conditions.
2. Do not smoke, allow open flames or sparks to be present during the refueling operation.
3. Use only an approved fuel container to transport fuel.
4. Do not fuel while engine is hot - allow to cool before attempting the refueling operation.
5. Replace all fuel tank caps securely and wipe the spilled fuel before restarting engine.
6. Do not operate the LH-Series gasoline engine in an enclosed area. The exhaust can be especially hazardous in an enclosed area.
7. Stop the engine and lower the platform when leaving the vicinity of the hoist.
8. Always stop the engine, lower the platform, wait for all moving parts to stop, and allow the engine to cool before disassembling or moving the hoist.
9. Disconnect the spark plug wire from the plug before disassembling or moving the hoist.
10. **DO NOT** store the engine in an enclosed area.
11. Allow engine to cool before storing.
12. **DO NOT** store engine where it might be subjected to flames, sparks, extreme heat or any other source of combustion.

Raising the Track Section Assembly

WARNING: KEEP TRACK SECTIONS CLEAR OF ALL ELECTRICAL WIRES AND EQUIPMENT BE AWARE OF OVERHEAD OBJECTS-NEVER CLIMB HOIST!

The hoist assembly is extremely top heavy and must be kept under control at all times.

Two alternate methods are suggested for raising the platform hoist to the operating position.

PROCEDURE "A"

This procedure requires two or preferably three men.

1. Lay the assembled track sections with the platform attached parallel to the building wall that is to support the hoist.
2. Tie a rope to the head bracket and have the man on roof pull up the hoist while the other man on the ground braces the shoes on the bottom section to prevent slippage of the hoist shoes. The third man on the ground may aid in erecting by "walking" the hoist up hand over hand by the rungs.
3. When the hoist reaches a vertical position, carefully turn the hoist 90 degrees with the platform pointing away from the building. Move the bottom of the hoist away from the building, 1/4 of the height of the building where the top of the hoist is to be supported. Make allowances for overhang. See track section support chart for approximate distances of the base from the bottom track.

ALTERNATE PROCEDURE "B"

1. Place track section assembly perpendicular to the building with the bottom shoes of the steel bottom section resting against the building to prevent slipping.
2. Tie a rope to the head bracket and have the man on the roof pull up the hoist while the other man on the ground braces the shoes on the steel bottom section to prevent slippage of the hoist shoes. The third man on the ground may aid in erecting by "walking" the hoist up hand over hand by the rungs.
3. When the hoist reaches a vertical position, carefully turn the hoist 180 degrees with the platform pointing away from the building. Move the bottom of the hoist away from the building, 1/4 of the height of the building where the top of the hoist is to be supported. Angle of track sections from building should be between 18 and 20 degrees. Make allowances for an overhang. See track section chart for approximate distances of the base from the building.

AFTER ERECTING THE HOIST USING PROCEDURE "A" OR "B", CONTINUE AS FOLLOWS:

4. Tie the track section to the roof with a rope fastened to a cross tie on the top bracket to prevent slippage of the track section. **DO NOT TIE ROPE TO THE RAILS - THIS WILL PREVENT THE PLATFORM FROM OPERATING PROPERLY.**
5. Mount the power unit to the top rung of the steel bottom section. Attach the V-belt to the pulley on the power unit. Slide the brake handle over the brake arm and install the pin provided.
6. Remove any ropes used to secure the platform during transportation.
7. Make certain the shoes on the steel bottom section are firmly resting on level ground. This will help to prevent track section slippage or uneven loading of the track section which could cause damage or injury to personnel and/or to equipment.

WARNING: BEFORE LOWERING THE TRACK SECTIONS, CAREFULLY CHECK FOR OVERHEAD OBJECTS AND POWER LINES.

Raising the platform with or without load

WARNING: THE OPERATOR OF THIS HOIST UNIT SHOULD WEAR APPROPRIATE SAFETY EQUIPMENT WHICH SHOULD INCLUDE APPROVED HAND PROTECTION, HEAD PROTECTION AND EYE PROTECTION.

To raise the platform on LH200, face the platform and stand as far as possible from the hoist to operate. Place your foot on the foot control brace to engage the motor to drum belt, permitting the platform to roll up the track section. When the platform reaches the top, release foot IMMEDIATELY. This will apply the self energizing brake. Move away from the hoist while the load is being removed from the platform.

Lowering the platform

To lower the carriage, stand to the right or left side of the hoist and grasp the brake handle. Lightly feather the platform down by engaging and disengaging the brake to slow the carriage. Lower the carriage to the ground at a slow speed (not to exceed 50/feet per minute). Continue to decelerate the platform as it nears the ground to prevent damage to the platform or bottom brace stops.

CAUTION: NEVER APPLY THE BRAKE ABRUPTLY - BROKEN HOIST CABLES AND/OR SEVERE INJURY TO PERSONNEL OR EQUIPMENT MAY OCCUR. MAKE CERTAIN PLATFORM DOES NOT STRIKE THE BOTTOM BRACE STOPS UPON REACHING THE BOTTOM OF THE TRACK SECTION.

Lower and dismantle the platform hoist assembly in the reverse of the erection procedure, observing all safety procedures.

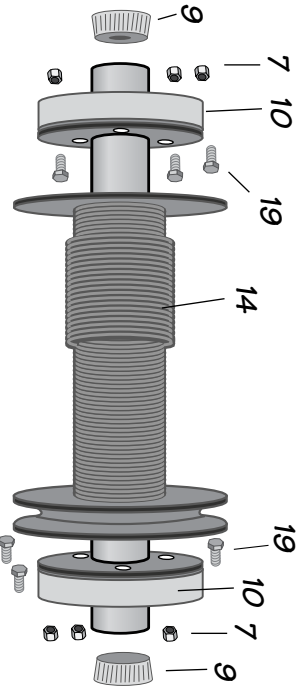
Track Section Chart - Brace Support

Track lengths in excess of 28 feet require the use of the telescoping brace (#60005). The table below provides the suggested information for the distance of the bottom track from the building and the location of the track support for various conditions.

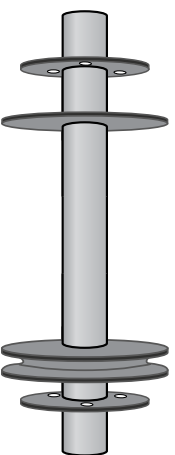
Building Height	Length of Track	Base of Track to Building	Track Brace Location Cross Tie from Bottom
42	44(max)	10'6"	25th and 27th
40	44	10'0"	26th and 25th
36	40	9'0"	19th and 21st
32	36	8'0"	14th and 16th
28	32	7'6"	11th and 13th
24	28	6'6"	Not Required
20	24	6'6"	Not Required
16	20	5'0"	Not Required
12	16	4'6"	Not Required

TanzSporter LH200 Parts Detail List

Number	Kit Part #	TDE Part #	Description	Kit Contains (Quantity-Part #)
1	90007	10033	Strap Brake	1-10033, 1-10049, 2-10603, 1-48510, 1-13211, 1-10650
2	10047	10047	Belt B 51in. (LS10) formerly #10034 50"	
3	90007	10049	Spring Extension	1-10033, 1-10049, 2-10603, 1-48510, 1-13211, 1-10650
4	48503	48503	Lift Hoist Platform Frame (3) no hardware	
5	90007	10603	Cotter Pin 3/32"x1/2"	1-10033, 1-10049, 2-10603, 1-48510, 1-13211, 1-10650
6	90008	10604	Cotter Pin Hair 111-20	2-10604
7	90007/90011	10650	Nylloc Hex Nut 5/16"-18	
8	90003	10946	Bolt HHCS 1/4-20	1-10946, 1-10027
9	90009	11080	Bearing 1.375 x 5/8" x 1/2"	2-10080
10	13000	13000	Drum Brake 4"	
11	90007	13211	Eye Bolt 5/16" x 3" zinc	1-10033, 1-10049, 2-10603, 1-48510, 1-13211, 1-10650
12	48505	48505	Brake Control Shaft	
13	see 48493A	48493	Cable Drum only (no bearings, cable or brake drum)	
14	90010	50383	Cable 5/32" x 100'	1-50383
15	48509	48509	Cable Drum Shaft	
16	90007	48510	Brake Linkage	1-10033, 1-10049, 2-10603, 1-48510, 1-13211, 1-10650
17	48515	48515	Brake Control Weldment	
18	90012	48517	Cable Drum Shim	2-48517
19	BBB3130075	BBB3130075	Bolt 5/16" x 3/4" Grade 5	
20	90003	10027	Nut 1/4" zinc	1-10946, 1-10027
21	48490	48490	Complete 3' platform Base with all hardware	
22	48493A	48493A	Complete Drum Assembly (LH200)	
23	48506A	48506A	Brake Handle with Rubber Grip	
24	90011	48511A	Complete Safety Shoe (1)	1-48511A, 1-10953, 1-10650
25	90011	10953	Bolt 5/16" x 1-1/4" HHCS	1-48511A, 1-10953, 1-10650



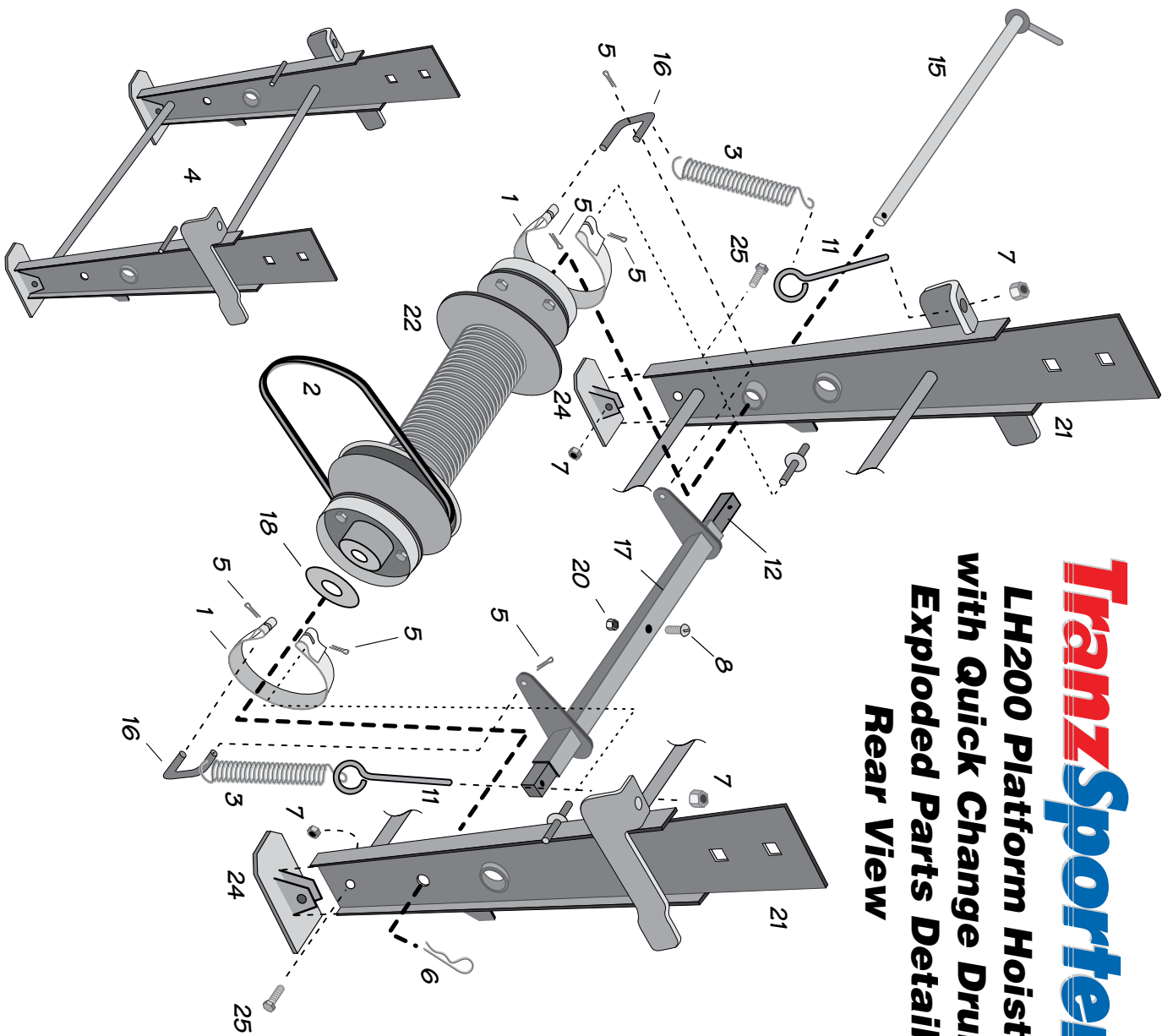
LH200 Complete Drum Assembly (22)



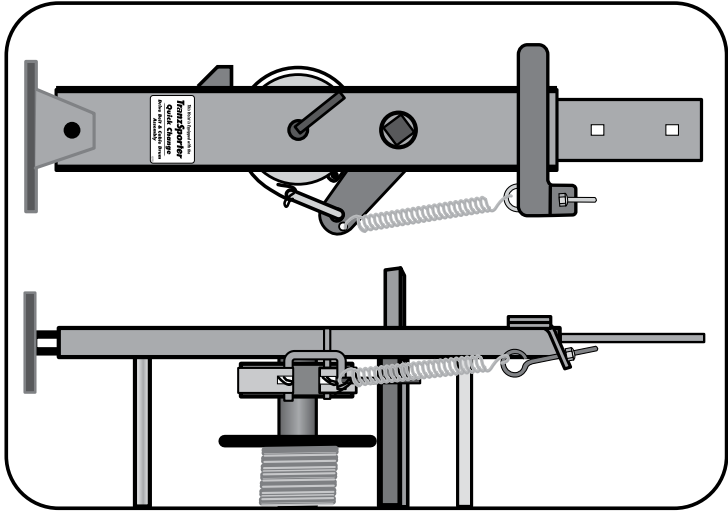
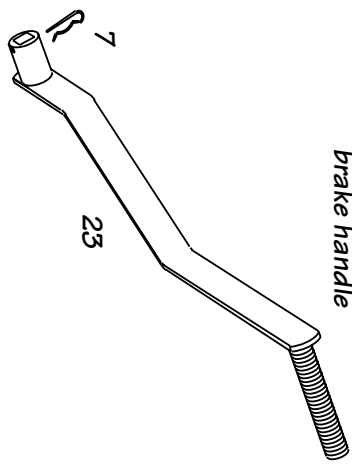
Cable Drum (15)

TranzSporter

**LH200 Platform Hoist
with Quick Change Drum
Exploded Parts Detail
Rear View**



**LH 200 Complete
4 Ft. Assembly (25)
Includes top cap &
brake handle**



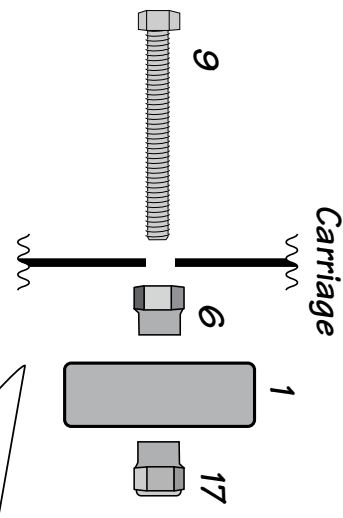
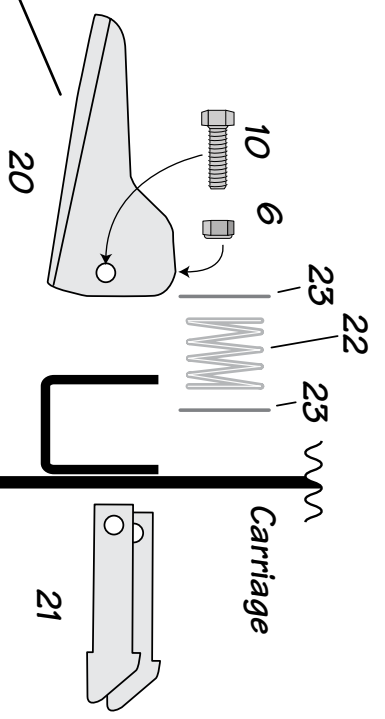
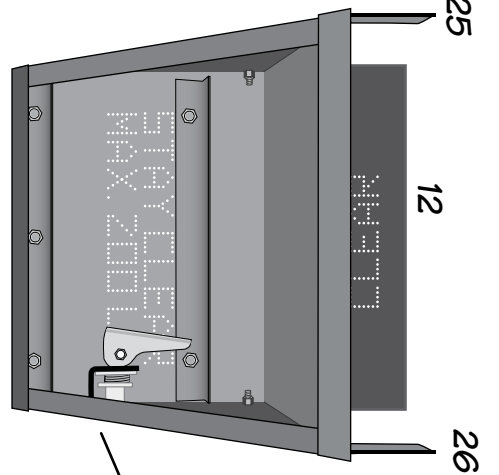
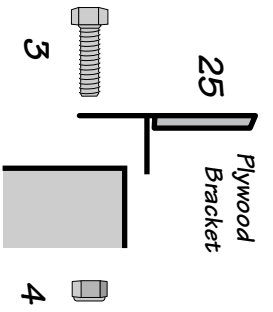


LH200 & LH2000 Platform Parts Detail

Number	Kit Part #	TDE Part #	Description	Kit Contains (Quantity-Part #)
1	90013	10032	Skate Wheels	2-10032, 2-10948, 2-10650, 2-10027
2	90014	13132	Idler Sneaave 3-1/4" x 1/2"	2-13132, 4-10573, 2-10517, 2-10931, 2-10645
3	90015	10538	Cap Screw Hex 3/8" x 1"	2-10538, 2-10627
4	90015	10627	Nyloc Nut 3/8"	2-10538, 2-10627
5	90014/90018	10645	Nyloc Hex Nut 1/2"	
6	90013/90017	10650	Nyloc Hex Nut 5/16"-18	
7	90014	10931	Bolt 1/2" x 2" Grade 5 Zinc	2-13132, 4-10573, 2-10517, 2-10931, 2-10645
8	90016	10849	Bolt 1/4"-20 x 1" Zinc	2-48513, 4-10849, 4-10027
9	90013	10948	Bolt 1/4" x 2" Grade 2 Zinc	2-10032, 2-10948, 2-10650, 2-10027
10	90017	10952	Bolt 5/16" x 1" Zinc	1-17020-1, 2-17020-2, 1-17020-3, 2-17020-5, 1-10952, 1-10650
11	48501	48501	200 lb. Carriage	
12	48504	48504	Carriage Flap	
13	90016	48513	Plastic Guide Block	2-48513, 4-10849, 4-10027
14	NA	NA	NA	NA
15	90018	10806	Hex Head Bolt 1/2"x1/2"	1-10806, 1-10573, 1-10645
16	90014	10517	Washer	2-13132, 4-10573, 2-10517, 2-10931, 2-10645
17	90013/90016	10027	Nut 1/4"-20 Zinc	
18	90014/90018	10573	Flat Washer 1/2"	
19	90017	17020	Safety Latch Kit	1-17020-1, 2-17020-2, 1-17020-3, 2-17020-5, 1-10952, 1-10650
20	90017	17020-1	Latch Handle	1-17020-1, 2-17020-2, 1-17020-3, 2-17020-5, 1-10952, 1-10650
21	90017	17020-2	Plunger Safety Latch	1-17020-1, 2-17020-2, 1-17020-3, 2-17020-5, 1-10952, 1-10650
22	90017	17020-3	Latch Spring	1-17020-1, 2-17020-2, 1-17020-3, 2-17020-5, 1-10952, 1-10650
23	90017	17020-5	Latch Wear Plate	1-17020-1, 2-17020-2, 1-17020-3, 2-17020-5, 1-10952, 1-10650
24	48944	48944	Complete Plywood Kit	1-48944L, 1-48944R, 2-10538, 2-10627.
25	48944	48944L	Left Plywood Bracket	
26	48944	48944R	Right Plywood Bracket	
-	48480	48480	Complete Carriage Assembly	

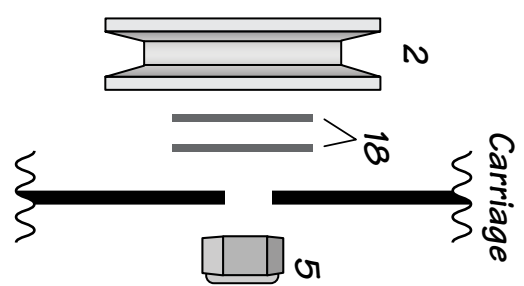
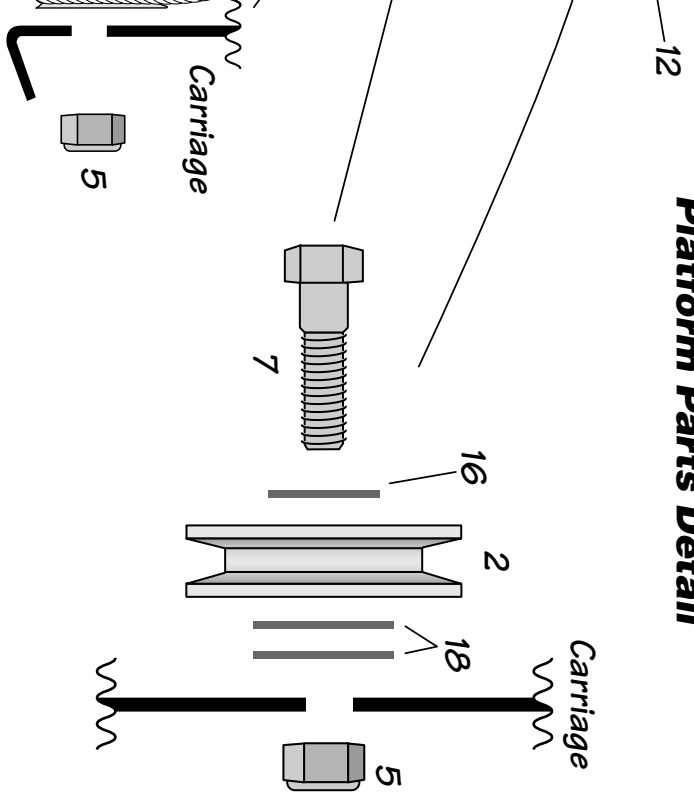
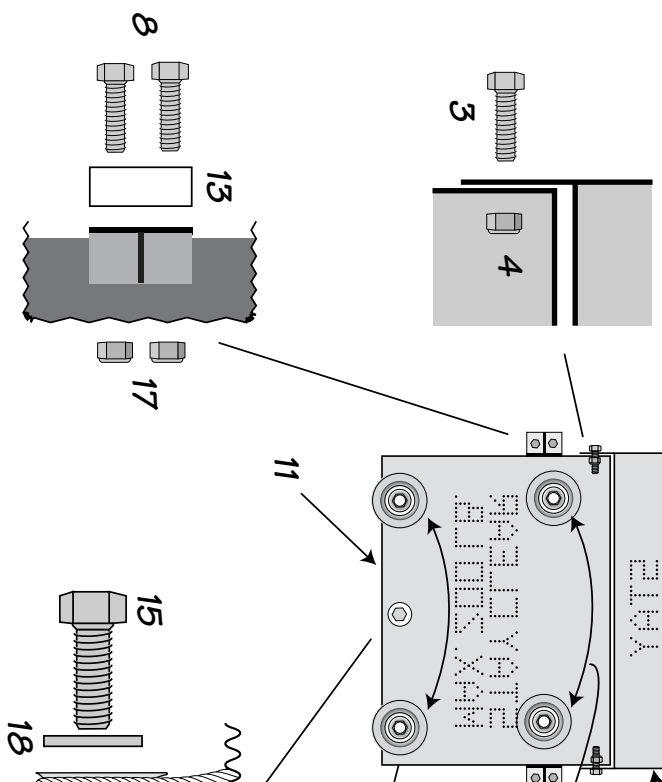
TranzSporter® • Manufactured in the U.S.A. © 2011 TIE DOWN ENGINEERING, INC

Plywood Bracket Kit (24)



TranzSporter

LH200 & LH2000 Platform Parts Detail



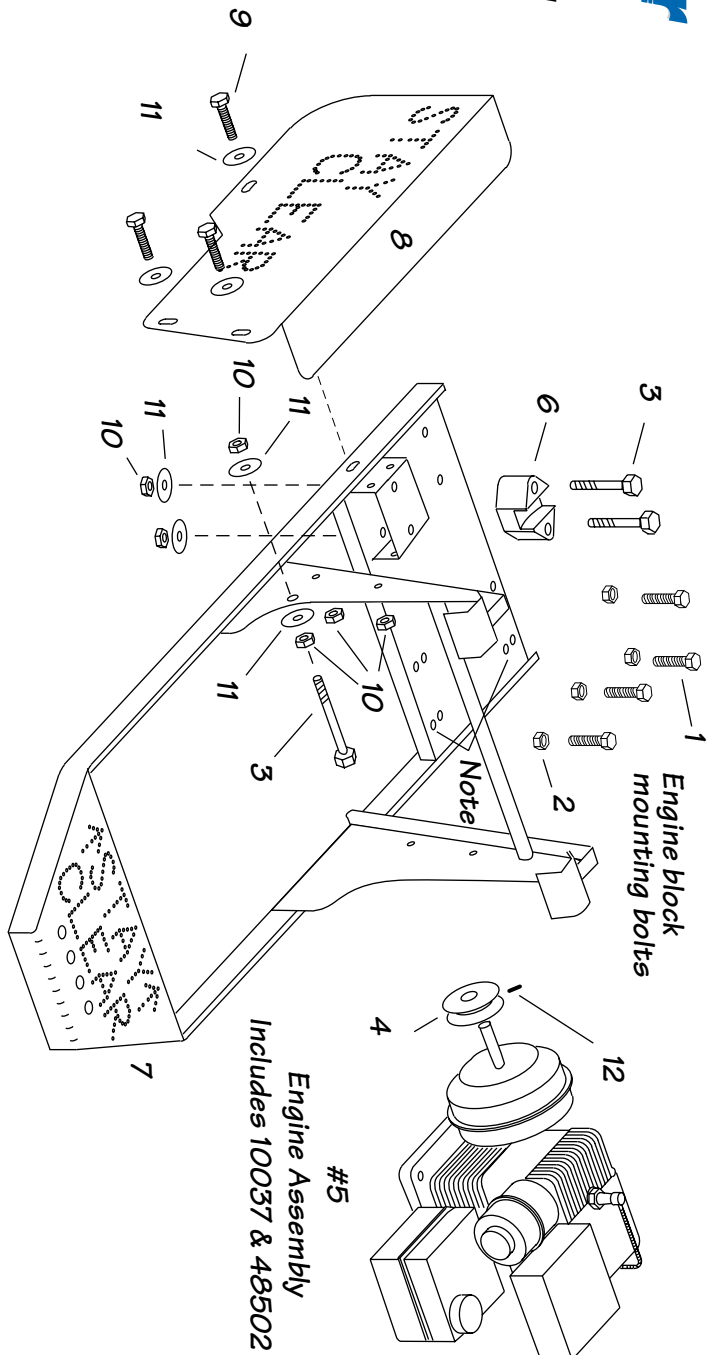
TranzSporter

Lifan Motor Mount Assembly Detail

NEW!
Comes with low oil shut off feature



Lifan Engine (5)



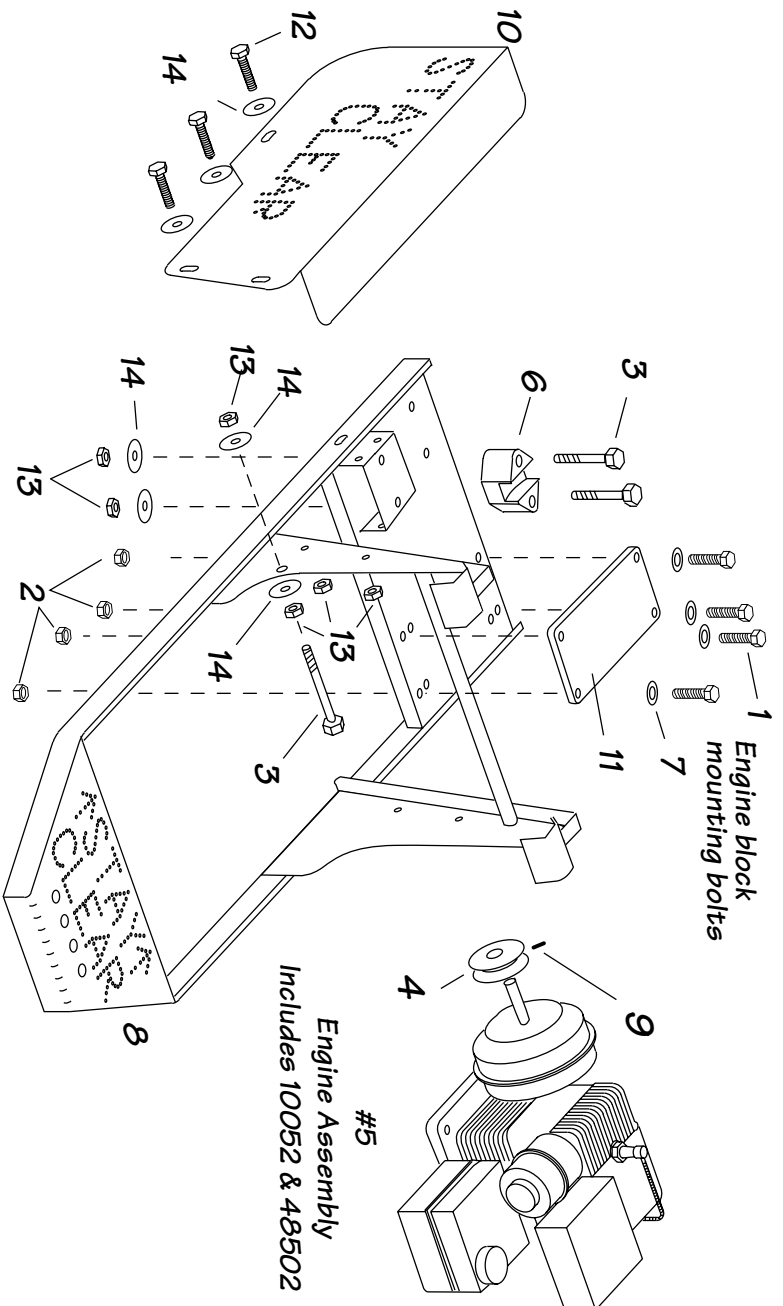
NOTE: Use front hole set for Lifan engine mount

#	Kit Part #	TDE Part #	Description	Kit Contents
1	90021	10954	Bolt 5/16"x1-1/2" Zinc	4-10954, 4-10650
2	90021	10650	Nyloc Hex Nut 5/16"-18	4-10954, 4-10650
3	90019, see also 90020	10026	Bolt 1/4"-20 x 3"	3-10518, 7-10507, 7-10027, 1-48514, 3-10026
4	90022	10037	Sheave for drive motor	1-10037, 1-48502
5	12570A	12570A	Lifan Gas Engine with Low Oil Sensor	
6	90020	45005	Block Pivot Saddle	1-45005, 2-10026, 2-10027, 2-10507
7	48500	48500	Motor Mount Weldment	
8	90019	48514	Belt Guard	3-10518, 7-10507, 7-10027, 1-48514, 3-10026
9	90019	10518	Bolt 1/4" x 3/4"	3-10518, 7-10507, 7-10027, 1-48514, 3-10026
10	90019, see also 90020	10027	Nut 1/4"-20 Zinc	3-10518, 7-10507, 7-10027, 1-48514, 3-10026
11	90019, see also 90020	10507	Flat Washer 1/4"	3-10518, 7-10507, 7-10027, 1-48514, 3-10026
12	90022	48502	Key 3/16"x3/4	1-10037, 1-48502
	48471	48471	Complete Kit: Lifan Engine and weldment	
	48500AA	48500AA	Complete Base Kit without motor	

Honda Motor Mount Assembly Detail



Honda Engine (5)

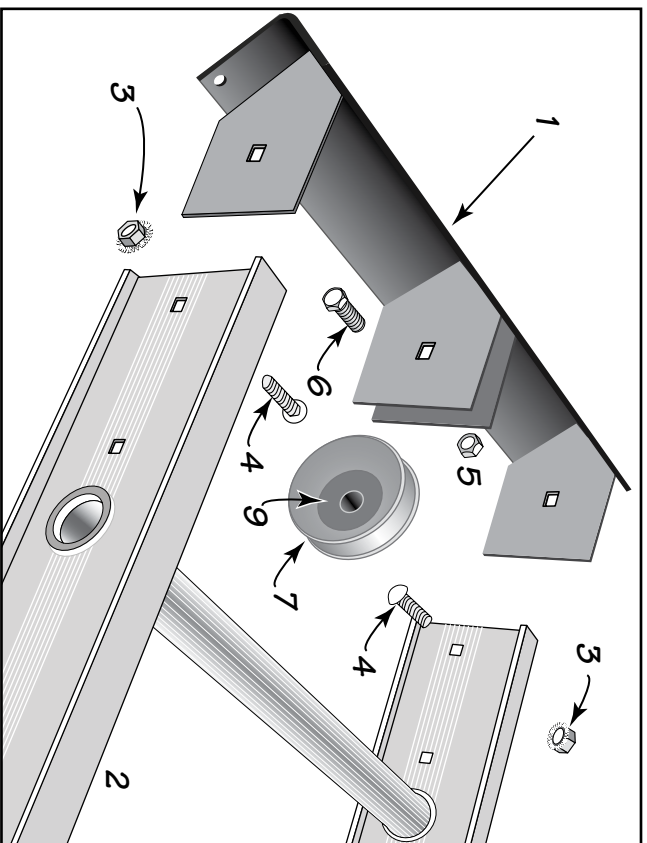


#	Kit Part #	TDE Part #	Description	Kit Contents
1	90023	10955	Bolt 5/16"x1-3/4" Zinc	4-10955, 4-10509, 1-48518, 4-10650
2	90023	10650	Nyloc Hex Nut 5/16"-18	4-10955, 4-10509, 1-48518, 4-10650
3	90019, see also 90020	10026	Bolt 1/4"-20 x 3" Grade 2	3-10518, 7-10507, 7-10027, 1-48514, 3-10026,
4	90022	10037	Sheave for Honda drive motor	1-10037, 1-48502
5	10039A	10039A	Honda Motor Assembly 4.0 HP	
6	90020	45005	Block Pivot Saddle	1-45005, 2-10026, 2-10027, 2-10507
7	90023	10509	Flat Washer	4-10955, 4-10509, 1-48518, 4-10650
8	48500	48500	Motor Mount Weldment	
9	90022	48502	Key 3/16"x3/4	1-10037, 1-48502
10	90019	48514	Belt Guard	3-10518, 7-10507, 7-10027, 1-48514, 3-10026,
11	90023	48518	Honda Mounting Shim	4-10955, 4-10509, 1-48518, 4-10650
12	90019	10518	Bolt 1/4" x 3/4"	3-10518, 7-10507, 7-10027, 1-48514, 3-10026,
13	90019, see also 90020	10027	Nut 1/4"-20 Zinc	3-10518, 7-10507, 7-10027, 1-48514, 3-10026,
14	90019, see also 90020	10507	Flat Washer 1/4"	3-10518, 7-10507, 7-10027, 1-48514, 3-10026,

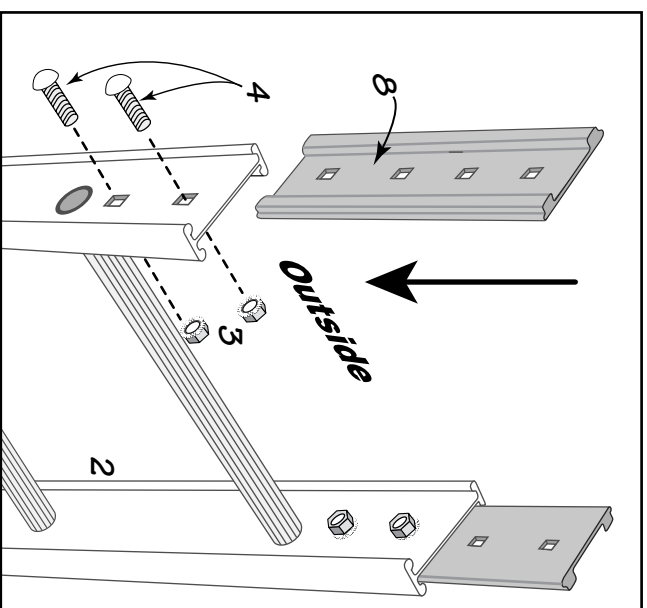
LH200 & LH2000

Track Section

Parts Detail



Top Cap Assembly



*Splice Plate Assembly
(Placed on the outside of each side)*

#	Part No.	Kit Part No.	Description	Kit Contents
1	See 48507A	48507	Top Track Cap (no sheave)	
2	10091	10091	Track Section 8 Feet 200 lb capacity with splice plates	
3	90024 see also 90025	10622	Nuts Keys 3/8"	16-10622, 16 10914
4	90024 see also 90025	10914	Bolt Carriage 3/8" x 3/4"	16-10622, 16 10914
5	90014	10645	Nut Nyloc Hex 1/2"	2-13132, 4-10573, 2-10517, 2-10931, 2-10645
6	90014	10931	Bolt HHCS 1/2"x2"	2-13132, 4-10573, 2-10517, 2-10931, 2-10645
7	90014	13132	Sheave Idler 3-1/4" x 1/2"	2-13132, 4-10573, 2-10517, 2-10931, 2-10645
8	90025	10093	Splice Plate w/hardware Kit (Sold In Pairs)	2-10093, 8-10622, 8-10914
9	12107	12107	Washer Flat 1/2"	
10	48507A	48507A	Complete Top Cap Kit	
	10092	10092	Track Section 4' for LH200/2000 with splice plates	