

# Kubota



## KUBOTA COMPACT EXCAVATOR

# KX

# KX016-4/KX018-4

Groundbreaking performance. Ultra versatility.  
Comfort in a compact environment.

\*This information is sourced from overseas and may not necessarily apply locally. It is essential that you confirm specifications and other information with your local Kubota dealer.



# 1.5- and 1.8-tonne excavators digging force tackle toughest

Kubota's new KX016-4/KX018-4 mini excavators raise the standard in the 1.5-1.8-tonne category with a powerful digging force and a wider working range that rival higher-end excavators. The premium KX018-4 is engineered for superb handling and operation from large construction

areas to the tightest of places; while the standard KX016-4 is designed for hire and rental. Whichever you choose, you can count on Kubota's mini excavators to get the job done easier and better!

## Standard Excavator **KX016-4**

- Kubota engine
- Digital panel
- Variable-width undercarriage, fits through gates
- Protected bucket cylinder hoses & auxiliary hydraulic hoses
- Boom cylinder above the boom



## Easy to transport (KX016-4)

The compact and lightweight KX016-4 can be towed from site to site quickly and easily, making it an excellent choice for hire and rental\*.

\* Below 2000kg



**ors with outstanding  
jobs with ease**



**Premium Excavator**  
**KX018-4**

- Kubota engine
- Digital panel
- Wider working range
- Auto-shift
- High-back adjustable seat
- Variable-width undercarriage, fits through gates
- Protected bucket cylinder hoses & auxiliary hydraulic hoses
- Boom cylinder above the boom

# SUPERIOR PERFORMANCE

## Enhanced Digging Force

The powerful and well-balanced arm and bucket let you dig faster and more efficiently even in the toughest conditions.

## Extraordinary Stability and Lifting Capacity

The long tumbler distance and wide variable track width provide superior stability so you can perform safely with various attachments. And Kubota's hydraulic system and powerful boom cylinder deliver the lifting power you need for a wide range of jobs. Combined, you get an advanced hydraulic system that automatically regulates and distributes the optimum amount of oil to each cylinder based on the weight of the load, for smooth, responsive and stable lifting capacity and operation.

## Variable Track Gauge

To optimise stability when using heavy attachments, the tracks can be expanded up to 1,300mm and retracted to 990mm to make passing through narrow doorways and tight passages possible. Adjustments can be made in just seconds with the independent track gauge lever.



## Auto-shift (KX018-4)

The auto-shift system for the KX018-4 enables automatic travel shift from high to low depending on traction effort and terrain. This gives smoother operation when dozing and turning.

## Wide Working Range

With a wide range of powerful working applications for digging, lifting and loading, the KX016-4/KX018-4 are always hard at work for you. With the increased efficiency in digging depth and load over height, the Kubota will meet or exceed the requirements of today's construction sites.

## Kubota Original Engines

Kubota's impressive D902 17HP engine for the KX018-4 and D782 13HP engine for the KX016-4 are engineered for maximum digging and lifting performance. They also deliver minimised noise and vibration, and meet the latest engine emission regulation.



## Short-pitched Rubber Crawler and Double-flanged Track Rollers (KX018-4)

The short-pitched rubber crawler minimises vibration and double-flanged rollers that help improve stability and travel performance.

## Straight Travel

For added safety, Kubota's hydraulic system makes sure that you travel in a straight line even during simultaneous operation of the front boom, arm and bucket.

# WORK IN COMFORT



## A. Flat Foot Space

The flat foot space enhances comfort by providing ample leg room to reduce fatigue even during long hours of operation.

## B. 2-speed Travel Switch

By placing the 2-speed travel switch on the dozer lever, dozing operations can be done faster and easier.



## C. Cup Holder

With the convenience of a bigger cup holder, you can quench your thirst and work longer without leaving your seat.

## D. Wrist Rest

A thoughtfully designed wrist rest enhances operation and reduces operator fatigue.

## E. Weight-adjustable Suspension Seat (KX018-4)

Designed for better fit and comfort even for long hours of work, Kubota's high-back suspension seat minimises strain and operator fatigue by accommodating your individual posture and weight. A seat belt is fitted as standard.

## TPSS

The Two-Pattern Selection System positioned under the seat lets you shift control styles conveniently while seated. A simple movement of a lever is all it takes to select between the ISO pattern and the SAE backhoe pattern.

## ROPS and FOPS Certified Canopy

Lightweight for improved stability and certified for safety, the ROPS & FOPS safety systems provide protection from falling debris or accidental rollovers.

## More Legroom

Designed for greater comfort, the fully flat floor provides more legroom to minimise fatigue.

## New Digital Panel

The new user-friendly digital panel puts convenience at your fingertips. Positioned to the front right corner of the operator for better visibility and accessibility, it features easy one-touch button operation to view the time, hour meter and tachometer. Warning lamps with code numbers on the display will alert you in case of emergencies such as overheating, hydraulic problems or low battery.



### 1. Fuel Level Gauge

### 2. Water Temperature Gauge

### 3. Warning Lamps

(Engine oil pressure, Battery charge, Coolant temperature)

### 4. LCD Display (Time, Hour, rpm)

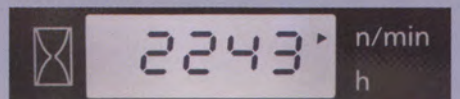
#### Time



#### Hour Meter



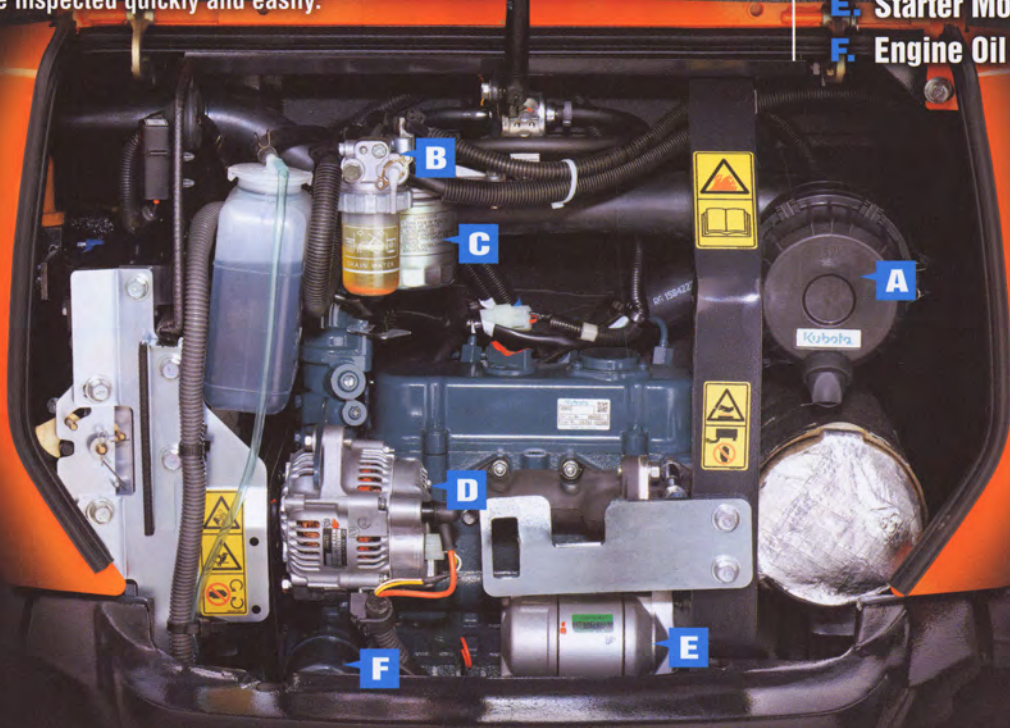
#### Tachometer



# Engine Maintenance

Kubota has made routine maintenance extremely simple by consolidating primary engine components onto one side for easier access. Engine and other vital components can be inspected quickly and easily.

- A. Air Cleaner
- B. Water Separator
- C. Fuel Filter
- D. Alternator
- E. Starter Motor
- F. Engine Oil Filter



# MAINTENANCE & SAFETY

## Topside Boom Cylinder

For increased reliability when performing in hazardous conditions, including demolition jobs when a breaker is fitted, the boom cylinder has been positioned on the topside of the boom to prevent cylinder damage.



## Integrated Travel Motor Hoses

Kubota has enclosed the travel motor hoses within the track frame for added protection.



## Easy lubrication

Boss lubrication replaces the previous pin method to make lubrication more convenient when exchanging attachments.



# KX016-4/KX018-4 OPTIONS & EQUIPMENT

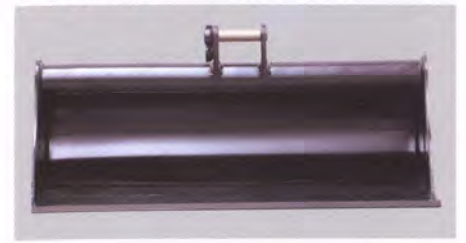
## ● Hydraulic hitch



## ● Canopy lights



## ● Buckets



## WORKING RANGE

Model		KX016-4	KX018-4		
A	Max. digging height	mm	3360	3460	
B	Max. dumping height	mm	2290	2380	
C	Max. digging depth	mm	2250	2380	
D	Max. vertical digging depth	mm	1810	2030	
E	Max. digging radius, at ground level	mm	3730	3860	
F	Max. digging radius	mm	3790	3920	
G	Min. turning radius	W/o swing	mm	1490	1480
		With swing	mm	1180	1170
H	Min. tail turning radius	mm	1070	1070	

## LIFTING CAPACITY

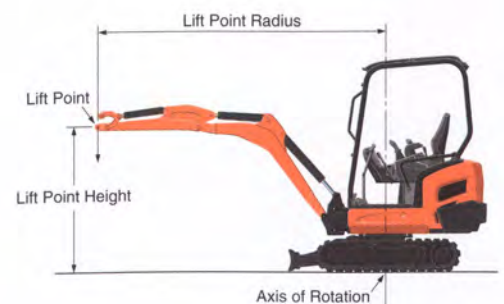
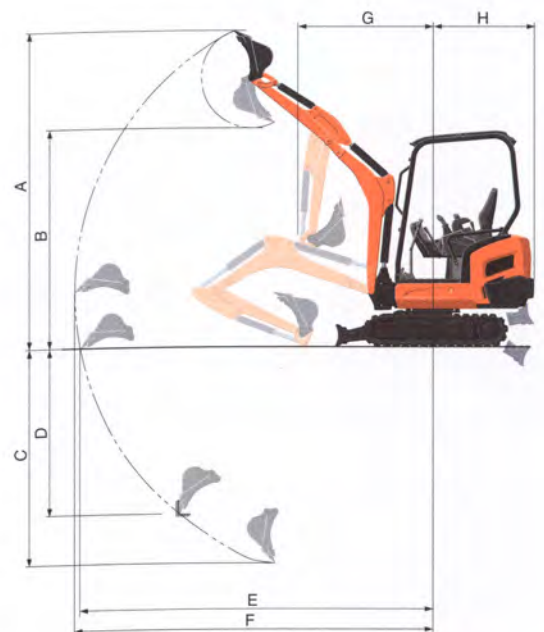
### KX016-4

LIFT POINT HEIGHT (m)	LIFTING CAPACITY OVER THE FRONT, BLADE DOWN unit=kg					LIFTING CAPACITY OVER THE SIDE, TRACK WIDTH 1240mm unit=kg				
	LIFT POINT RADIUS (m)					LIFT POINT RADIUS (m)				
	1.0	1.5	2.0	2.5	3.0	1.0	1.5	2.0	2.5	3.0
2.5	-	-	-	-	-	-	-	-	-	-
2.0	-	-	-	2.6	-	-	-	-	2.5	-
1.0	-	-	4.5	3.5	2.9	-	-	3.2	2.4	1.8
0	-	4.7	5.3	3.8	2.8	-	4.4	2.9	2.2	1.7
-1.0	8.5	5.9	4.0	2.8	-	8.5	4.4	2.8	2.2	-
GL	-1.5	-	4.3	2.8	-	-	4.3	2.8	-	-

### KX018-4

LIFT POINT HEIGHT (m)	LIFTING CAPACITY OVER THE FRONT, BLADE DOWN unit=kg					LIFTING CAPACITY OVER THE SIDE, TRACK WIDTH 1240mm unit=kg				
	LIFT POINT RADIUS (m)					LIFT POINT RADIUS (m)				
	1.0	1.5	2.0	2.5	3.0	1.0	1.5	2.0	2.5	3.0
2.5	-	-	-	2.6	-	-	-	-	2.6	-
2.0	-	-	-	2.5	-	-	-	-	2.5	-
1.0	-	6.5	4.3	3.5	3.0	-	6.5	4.3	3.1	2.4
0	-	6.1	5.8	4.1	3.1	-	6.1	4.0	2.9	2.3
-1.0	9.1	6.8	4.5	3.2	-	9.1	6.3	3.9	2.8	-
GL	-1.5	11.4	5.2	3.4	-	11.4	5.2	3.4	-	-

Machine with standard arm without bucket, rubber crawler, ROPS canopy and standard track width.

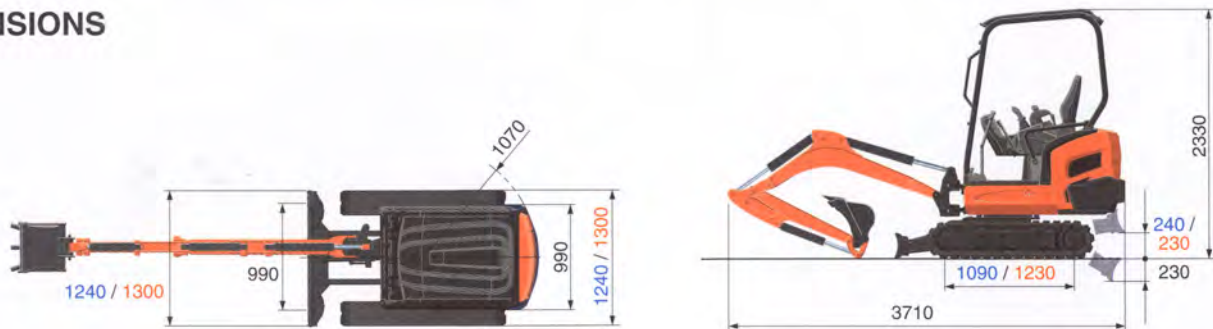


# SPECIFICATIONS

Model			KX016-4	KX018-4	
Type of ROPS / FOPS			Canopy	Canopy	
Type of tracks			Rubber	Rubber	
Engine	Model		Kubota D782-BH	Kubota D902-BH	
	Output (SAE J1995 gross)	HP (kW)/rpm	13.7 (10.2) / 2300	17.0 (12.7) / 2300	
	Output (SAE J1349 net)	HP (kW)/rpm	12.2 (9.1) / 2300	15.2 (11.3) / 2300	
	Displacement	cc	778	898	
Dimensions	Overall length	mm	3710	3710	
	Overall height	mm	2330	2330	
	Overall width	mm	1240 / 990	1300 / 990	
	Min. ground clearance	mm	160	160	
Hydraulic system	Pump capacity	ℓ/min	17.3 × 2 / 10.4 × 1 / 6.2 × 1	17.3 × 2 / 10.4 × 1 / 6.2 × 1	
	Auxiliary hydraulic flow	ℓ/min	27.7	27.7	
	Max. breakout force	Bucket / Arm	kgf	1370 / 740	1630 / 840
Drive system	Travel speed	Low / High	km/h	2.1 / 3.8	2.2 / 4.0
	Max. traction force		kgf	2207	2207
	Tumbler distance		mm	1090	1230
	Crawler length		mm	1585	1585
	Shoe width		mm	230	230
	Ground contact pressure		kg/cm <sup>2</sup>	0.26	0.26
	Swing system	Unit swing speed		rpm	9.1
Blade	Dimensions	Width	mm	1240 / 990	1300 / 990
		Height	mm	230	230
	Max. lift above ground		mm	240	230
	Max. drop below ground		mm	230	230
Hydraulic oil (reservoir / system)			ℓ	15.5 / 28	15.5 / 28
Fuel reservoir			ℓ	21	21
Operating weight (Including operator's weight 80 kg)			kg	1570	1700

The company reserves the right to change the above specifications without notice. This brochure is for descriptive purposes only. Please contact your local Kubota dealer for warranty information. For your safety, Kubota strongly recommends the use of a Rollover Protective Structure (ROPS) and seat belt for almost all applications.

## DIMENSIONS



KX016-4 / KX018-4  
 KX016-4  
 KX018-4  
 Unit: mm

©2012 Kubota Corporation

# Kubota

**KUBOTA Tractor Australia Pty Ltd**

25-29 Permas Way, TRUGANINA Vic, 3029  
 Freecall: 1800 334 653  
 Email: sales@kubota.com.au

Web Site: <http://www.kubota.com.au>

**CB Norwood Distributors Ltd**

PO Box 1265, 888 Tremaine Avenue,  
 Palmerston North 0800 KUBOTA  
 Tel: 06 356 4920 Fax: 06 356 4939

Web Site: <http://www.kubota.co.nz>